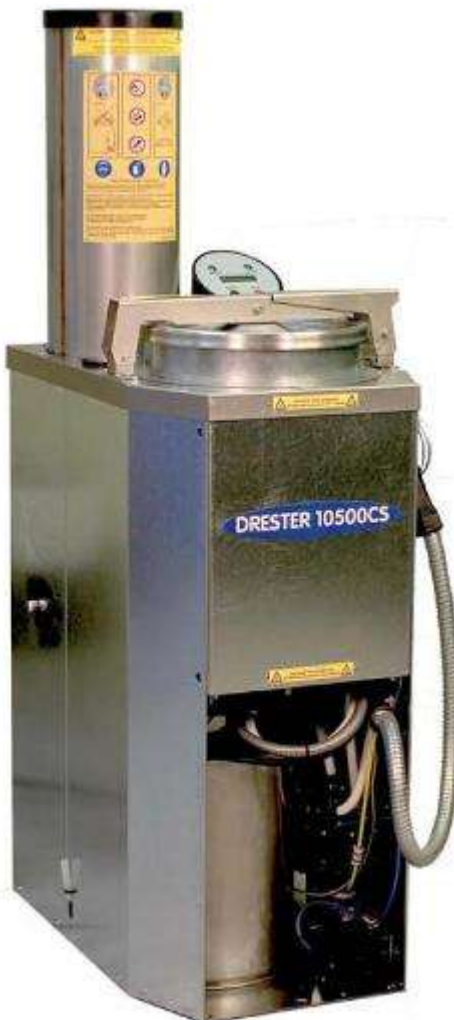




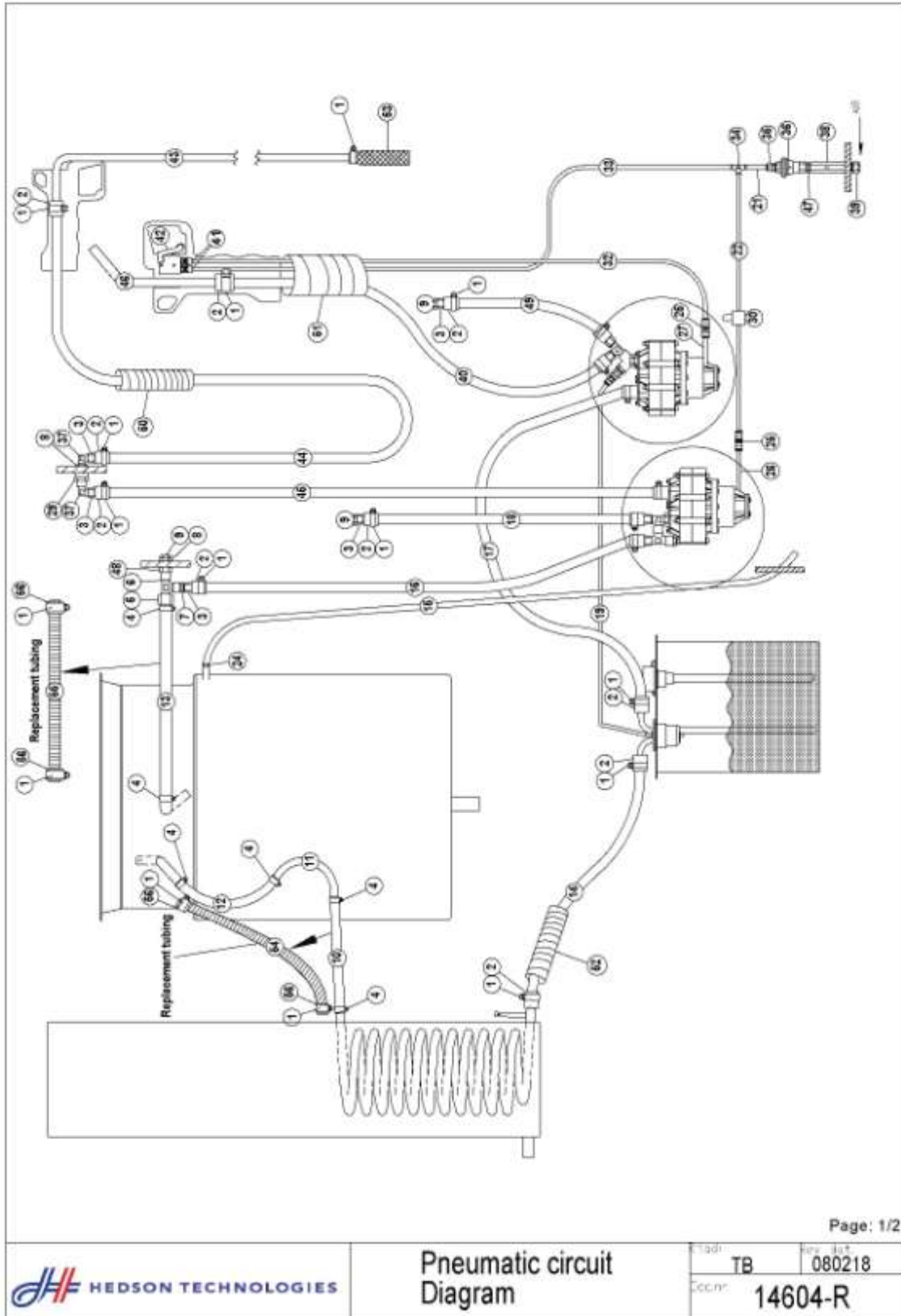
MODEL 10500 (220v) & 10600 (120v)

**- SOLVENT RECYCLER WITH TRANSFER PUMPS -
Parts Breakdown**

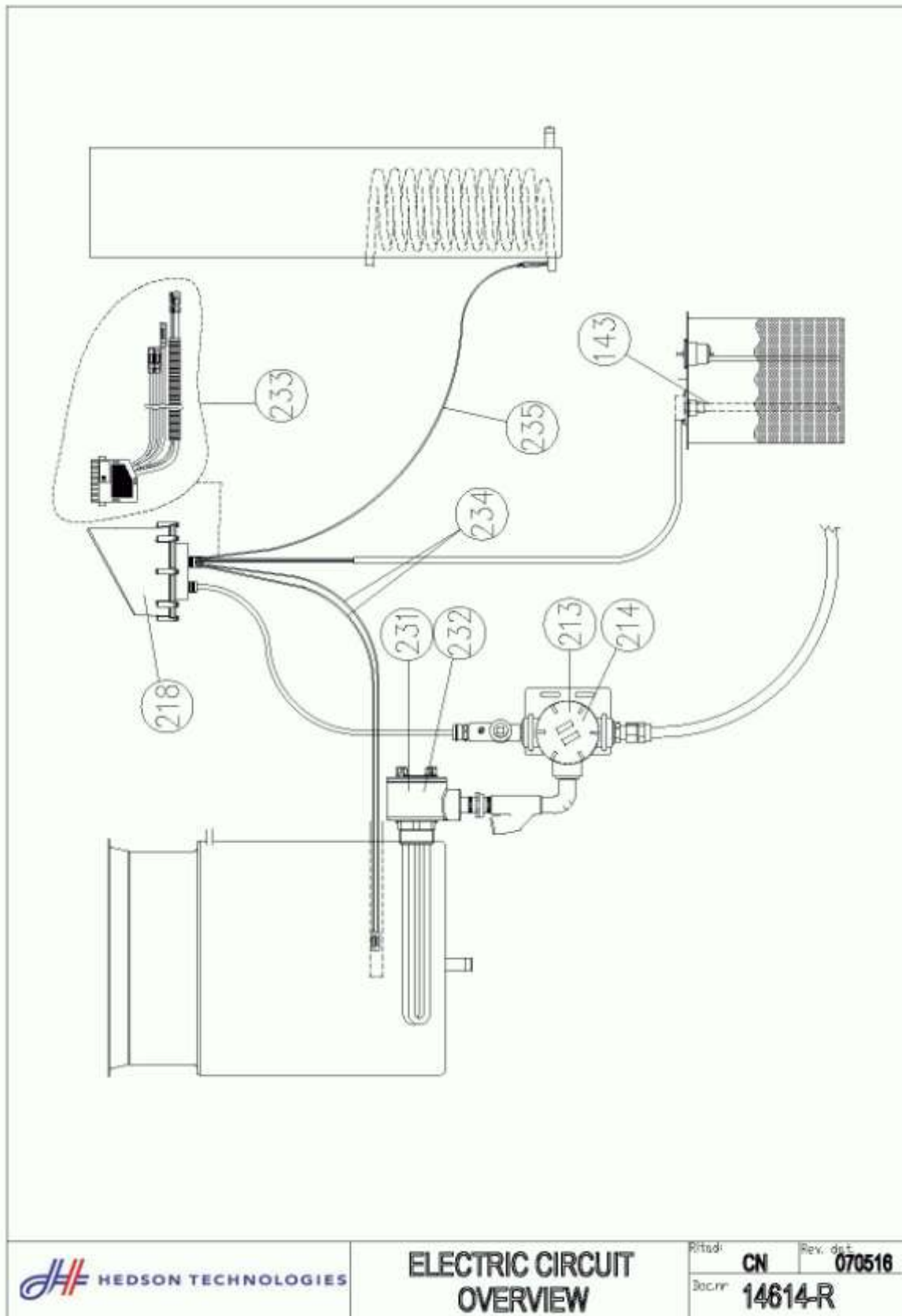


1 REPLACEMENT PARTS ILLUSTRATIONS

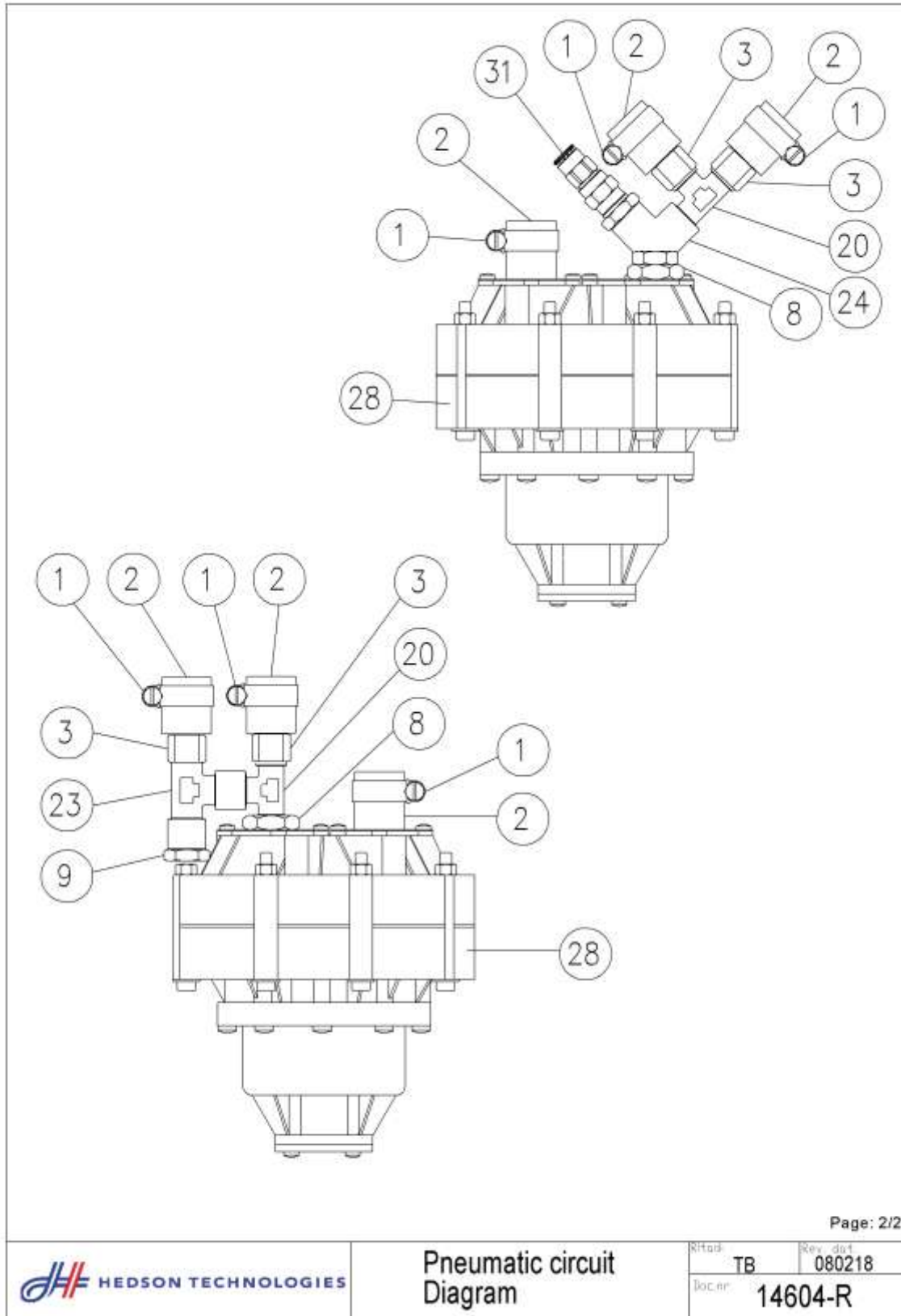
1.1 Pneumatic Circuit diagram



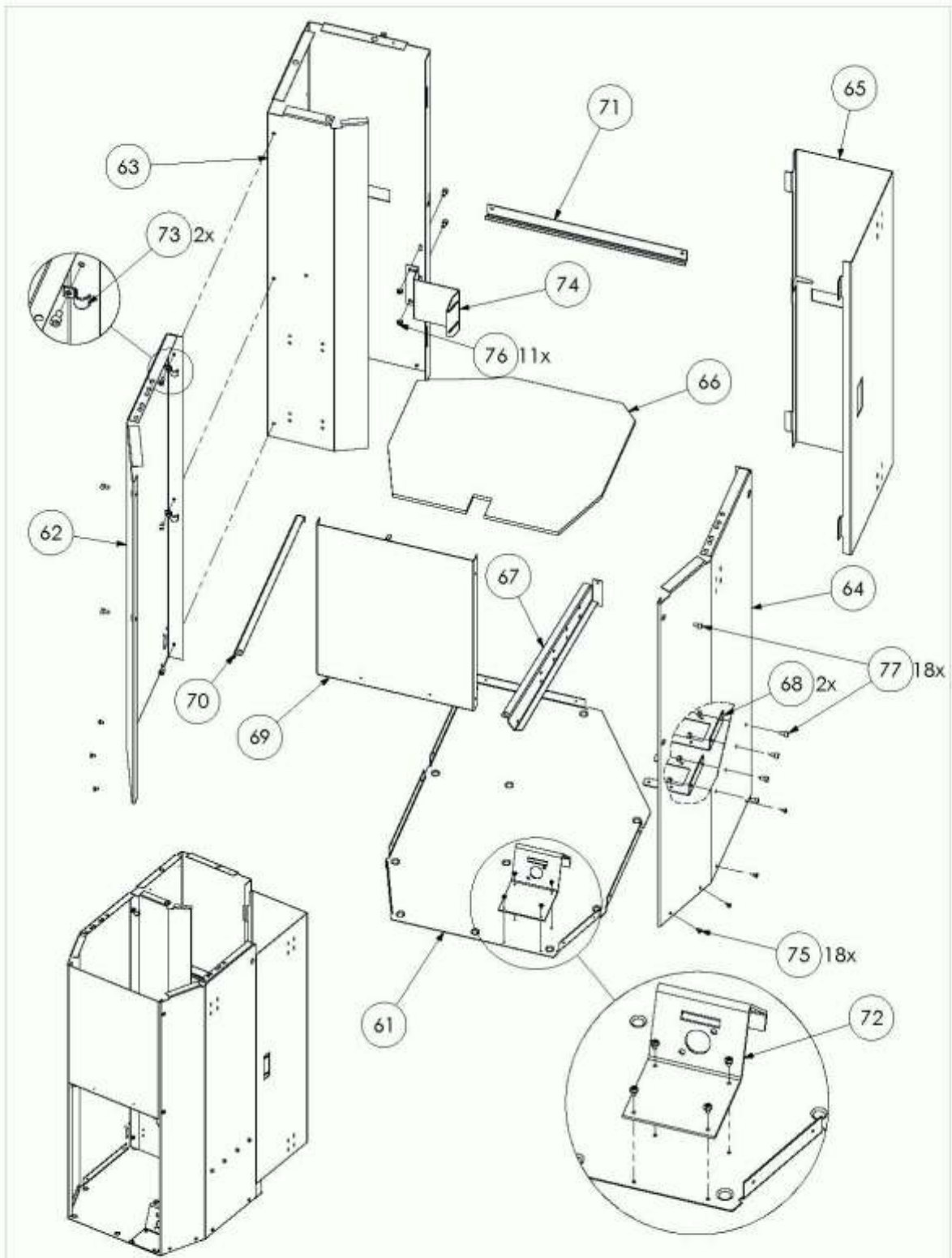
1.2 Electric Circuit Overview



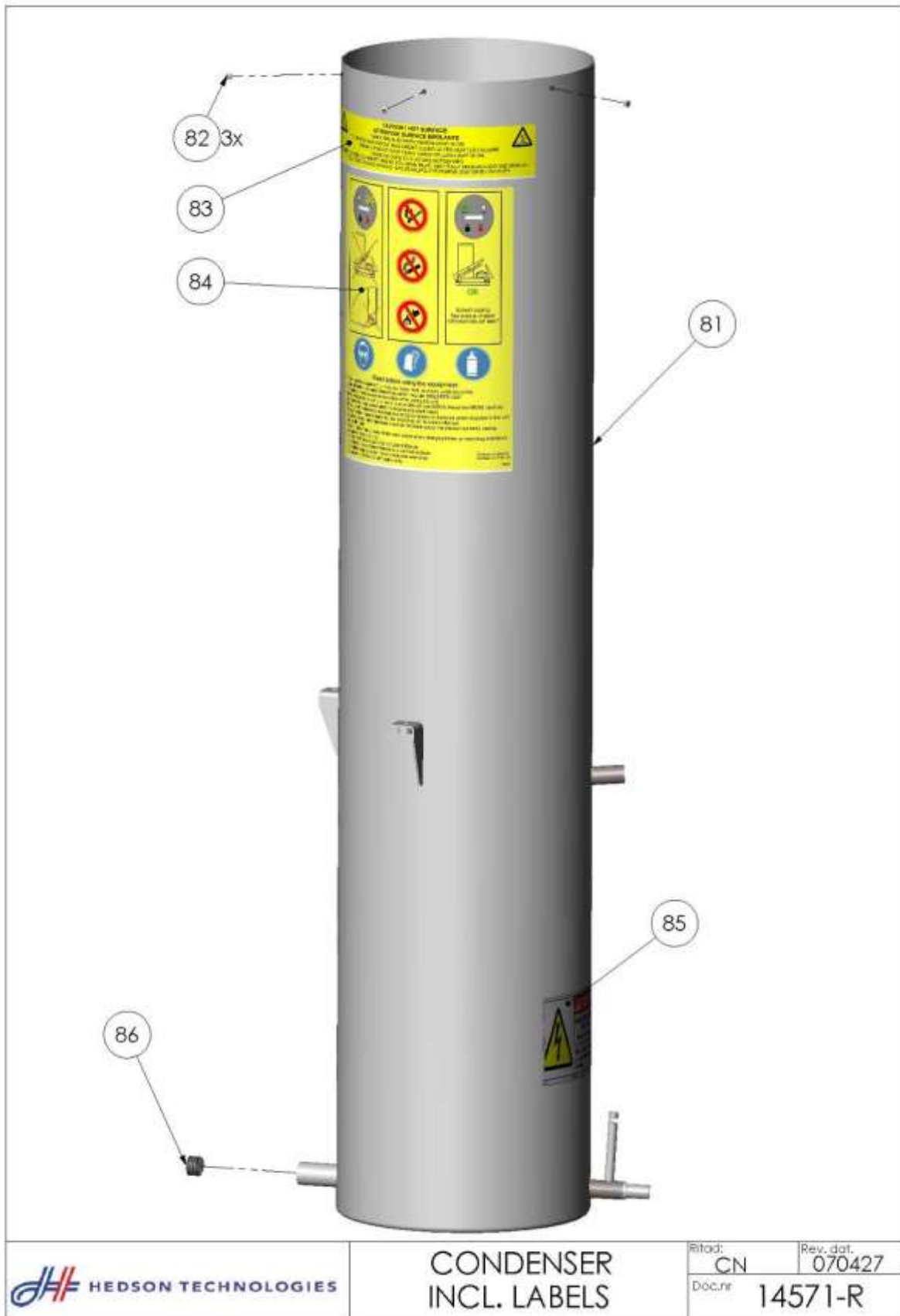
1.3 Pump Assembly



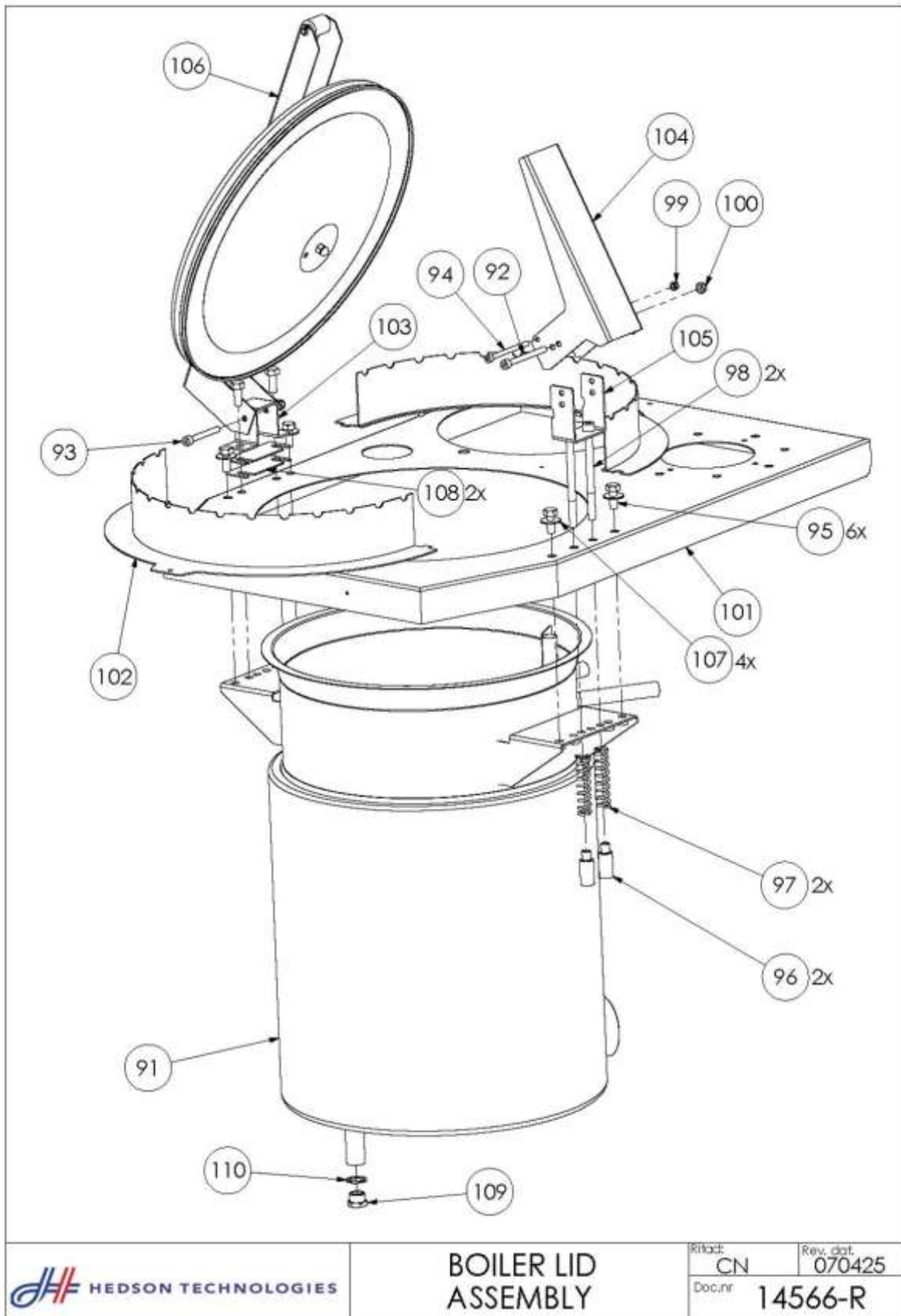
1.4 Body Assembly



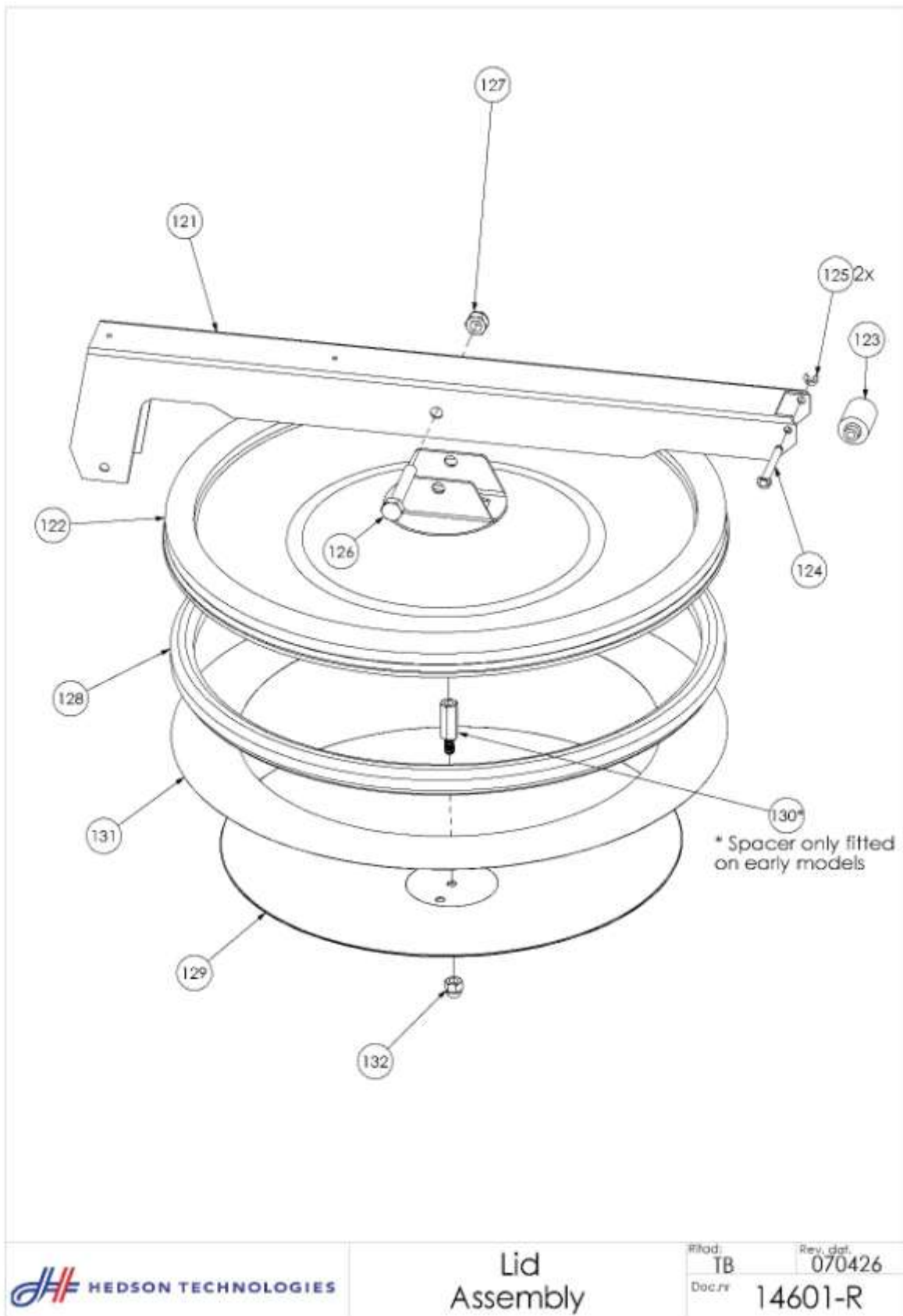
1.5 Condenser Assembly



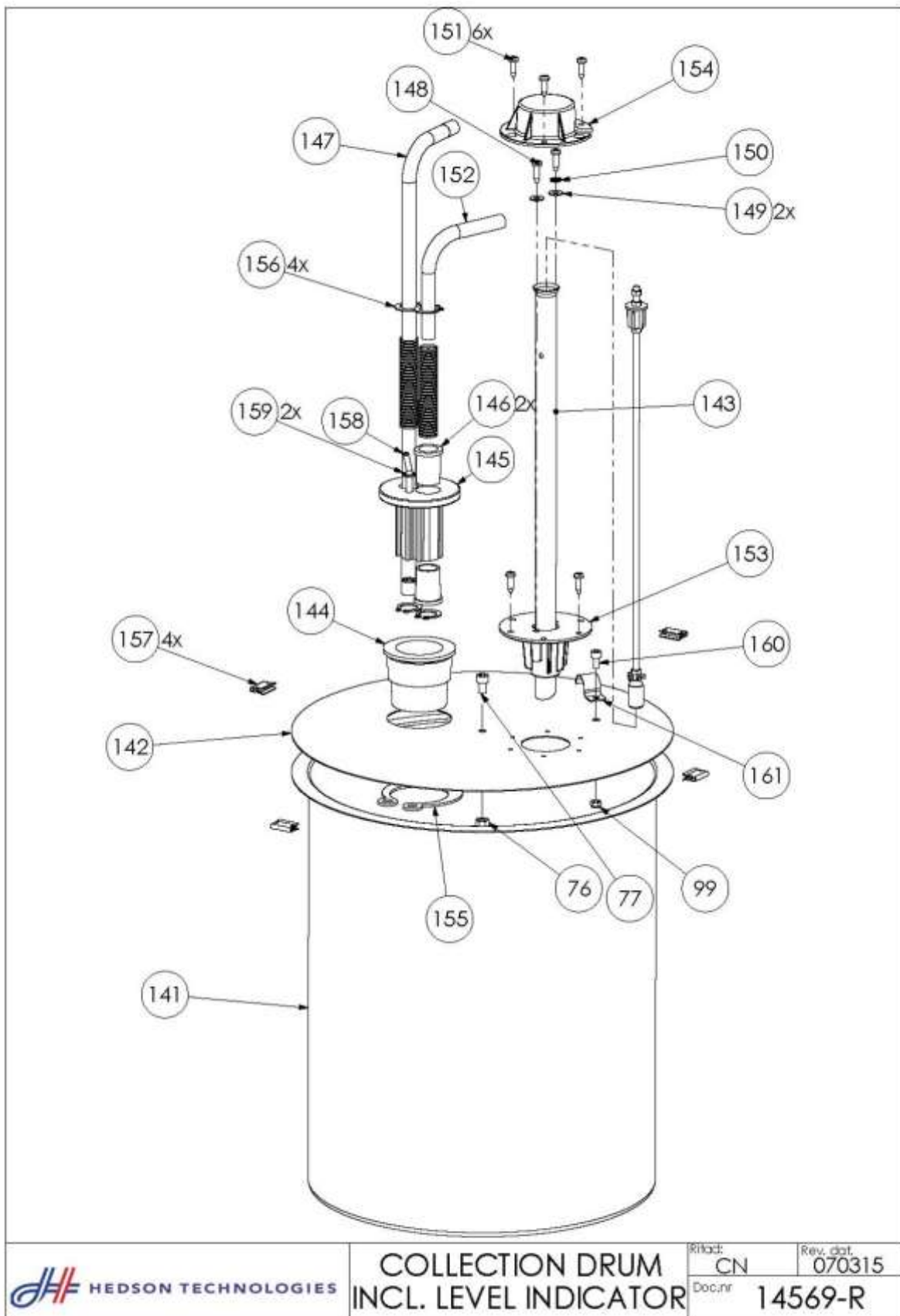
1.6 Boiler Lid Assembly



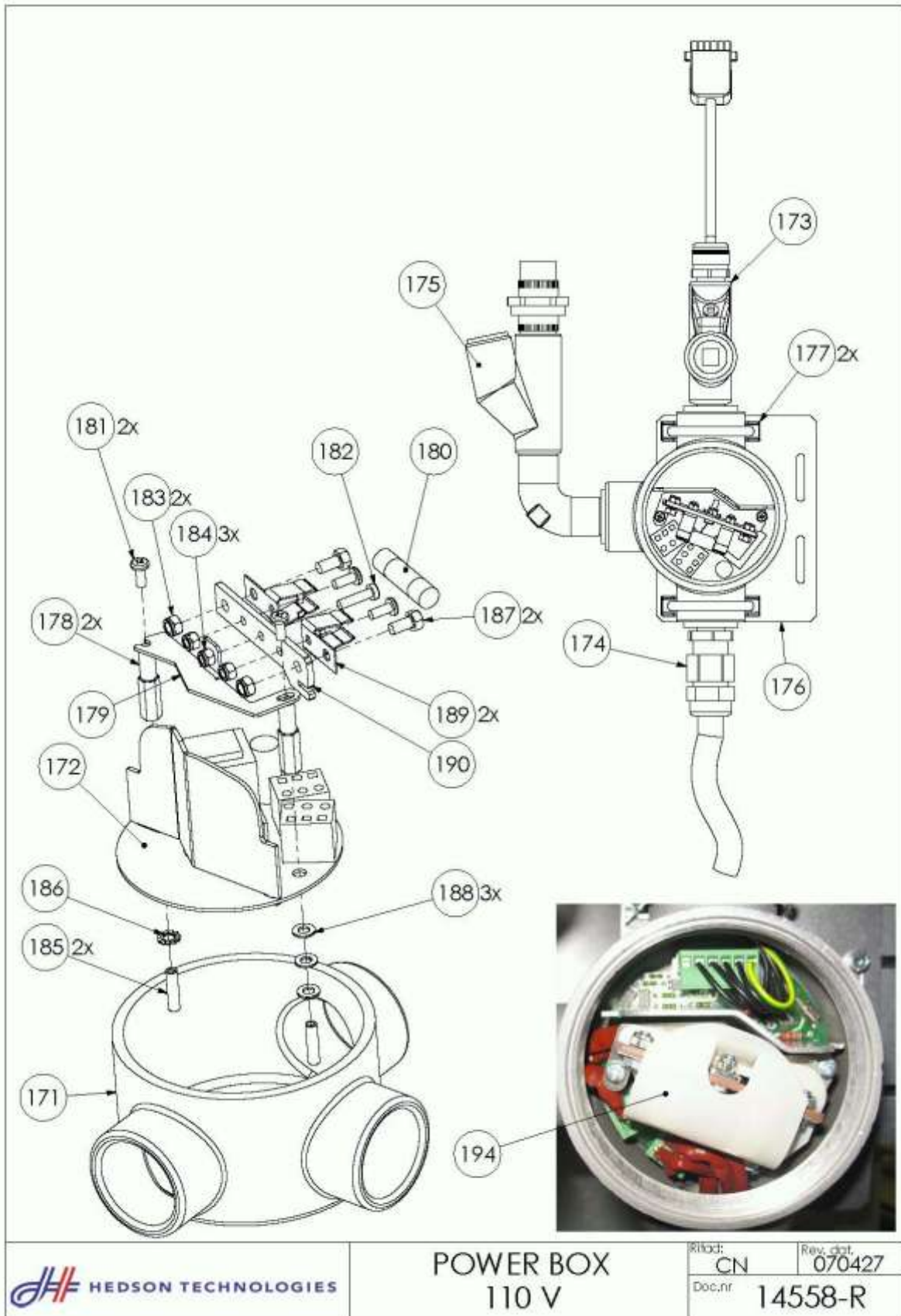
1.7 Lid Assembly



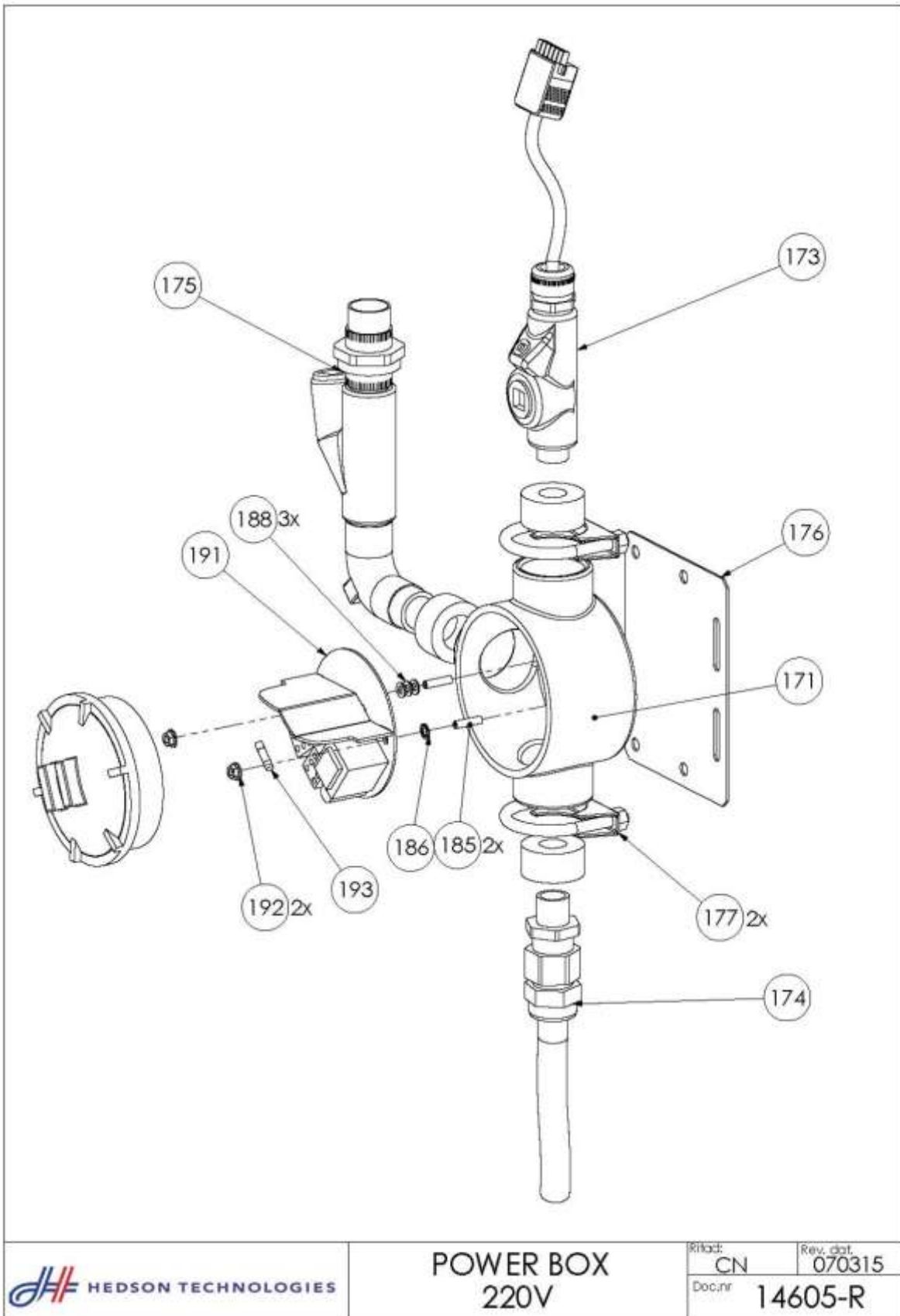
1.8 Collection Drum Assembly



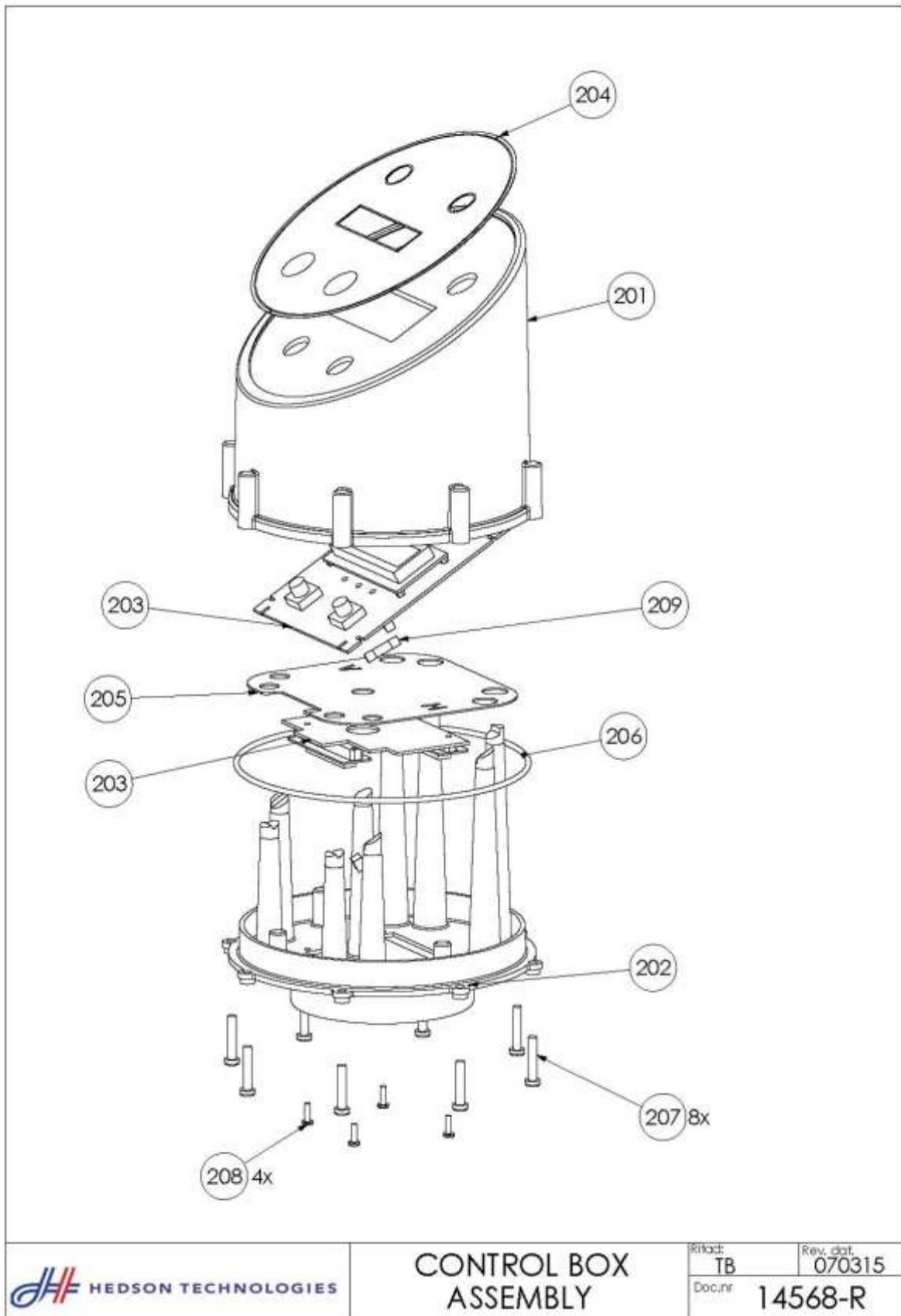
1.9 110V Power Box Assembly



1.10 220V Power Box Assembly



1.11 Control Box Assembly



1.12 SPARE PARTS



Tap handle assembly
R14620



110V Fuse Kit
R14630



220V Fuse Kit
R13990



Temperature probe kit
R13980



Foot valve w. hose
R14640



Power box assembly
110V: R13380
220V: R13390



Control box
R11188

Page: 1/3



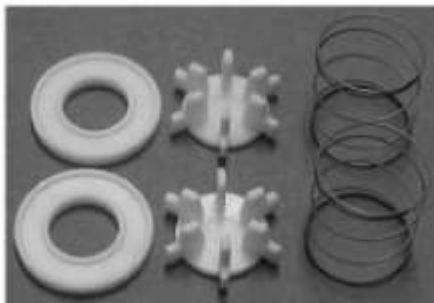
219 Load Pump Assembly
R14070



220 Discharge Pump Assembly
R14080



236 Vapour Hose Kit



221 Valve-set
R9178



222 O-ring (2 Pcs)
R6336



229 Check-valve
R13929



230 Docking valve
R14610



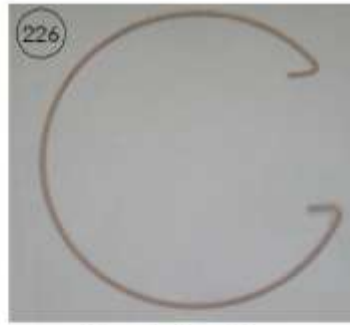
Panel Accessories
R14660



Air Regulator-set
13474



Lid Gasket kit
R14650



Retaining Ring
13603



Suction Tube strainer
R10760



Recycler Bags (20 pcs)
R10750

2 REPLACEMENT PARTS LIST

| 10500 & 10600 Parts List | | | Rev 2 / 080218 / CN |
|--------------------------|--|-----------------|-----------------------------|
| Page 1 | | | |
| No. | | Hedson Part No. | Part Description |
| 1 | | 14241 | HOSE CLAMP |
| 2 | | 5355 | PIECE OF HOSE |
| 3 | | 10212 | NIPPLE |
| 4 | | 13531 | HOSE CLAMP-REPLACED BY NO.1 |
| 5 | | 11278 | NIPPLE |
| 6 | | 11242 | T-PIECE |
| 7 | | 12624 | COUPLING |
| 8 | | 4642 | BUSHING |
| 9 | | 2827 | PLUG |
| 10 | | 13528 ;0,1m | HOSE Ø16- REPLACED BY NO.54 |
| 11 | | 11809 | STEAM PIPE |
| 12 | | 13528 ;0,15m | HOSE Ø16- REPLACED BY NO.54 |
| 13 | | 13528 ;0,2m | HOSE Ø16- REPLACED BY NO.55 |
| 14 | | 10216 ;1,15m | HOSE Ø17 WHITE |
| 15 | | 13529 ;1,15m | SILICONE HOSE Ø12 |
| 16 | | 5042 ;0,78m | HOSE Ø17 BLACK |
| 17 | | 10216 ;0,7m | HOSE Ø17 WHITE |
| 18 | | 5042 ;0,67m | HOSE Ø17 BLACK |
| 19 | | 3517 ;0,6m | HOSE Ø6 BLACK |
| 20 | | 10555 | T-PIECE |
| 21 | | 5101-1 ;0,07m | HOSE Ø6 BLUE |
| 22 | | 5101-1 ;0,47m | HOSE Ø6 BLUE |
| 23 | | 6990 | T-PIECE |
| 24 | | 13738 | Y-COUPLING |
| 25 | | 8363 | COUPLING, DRILLED |
| 26 | | 2164-1 ;0,12m | HOSE Ø6 BLACK |
| 27 | | 6944 ;0,12m | HOSE Ø6 YELLOW |
| 28 | | 6160-M | PUMP |
| 29 | | 8272 | COUPLING |
| 30 | | 2366 | FOOT-VALVE |

10500 & 10600 Parts List

Rev 2 / 080218 / CN

Page 2

| No. | | Hedson Part No. | Part Description |
|-----|--|-----------------|------------------------|
| 31 | | 13929 | CHECK VALVE |
| 32 | | 6944 ;1,52m | HOSE Ø6 YELLOW |
| 33 | | 5101-1 ;1,76m | HOSE Ø6 BLUE |
| 34 | | 9197 | T-COUPLING |
| 35 | | 10267 | COUPLING |
| 36 | | 9598 | AIR REGULATOR |
| 37 | | 4270 | ELBOW COUPLING |
| 38 | | 2018 | FILTER |
| 39 | | 2984 | COUPLING |
| 40 | | 10216 ;1,34m | HOSE Ø17 WHITE |
| 41 | | 13479 | COUPLING, DRILLED |
| 42 | | 8262 | VALVE |
| 43 | | 13607 | SUCTION PIPE |
| 44 | | 5042 ;2,15m | HOSE Ø17 BLACK |
| 45 | | 5042 ;0,66m | HOSE Ø17 BLACK |
| 46 | | 11811 | TAP PIPE |
| 47 | | 3926 | NIPPLE |
| 48 | | 8257 | COUPLING |
| 49 | | 10216 ;0,7m | HOSE Ø17 WHITE |
| 50 | | 13717 | JACKET |
| 51 | | 13482 | JACKET |
| 52 | | 6871 | JACKET |
| 53 | | 10760 | STRAINER |
| 54 | | 14805; 0,21m | CORRUGATED TEFLON HOSE |
| 55 | | 14805; 0,42m | CORRUGATED TEFLON HOSE |
| 56 | | 14847 | PIECE OF HOSE |

10500 & 10600 Parts List

Rev 1 / 070403 / TB

Page 3

| No. | | Hedson Part No. | Part Description |
|-----|--|-----------------|---------------------------|
| 61 | | 10968 | FLOOR PLATE |
| 62 | | 10963 | LEFT SIDE |
| 63 | | 10966 | REAR LEFT SIDE |
| 64 | | 10967 | RIGHT SIDE |
| 65 | | 10981 | REAR DOOR |
| 66 | | 11125 | ISOLATION PLATE |
| 67 | | 10988 | HOSE GUIDE |
| 68 | | 6276 | PUMP BRACKET |
| 69 | | 13413 | FRONT PLATE |
| 70 | | 10989 | SUPPORT BAR |
| 71 | | 10979 | HANDEL BAR |
| 72 | | 8561-E | FOOT-PEDAL PLATE |
| 73 | | 4448 | CLIP |
| 74 | | 10972 | BOX BRACKET |
| 75 | | 5030 | SCREW RXK 4,2 x 6,5 |
| 76 | | 8414 | LOCKING NUT M6 |
| 77 | | 9429 | SCREW M6 x 10 |
| 78 | | | |
| 79 | | | |
| 80 | | | |
| 81 | | 10977 | CONDENSER |
| 82 | | 9619 | RIVET |
| 83 | | 13585 | LABEL "GENERAL WARNING" |
| 84 | | 13574 | LABEL "USER GUIDE" |
| 85 | | 13591 | LABEL "HAZARDOUS VOLTAGE" |
| 86 | | 13521 | PLUG |
| 87 | | | |
| 88 | | | |
| 89 | | | |
| 90 | | | |

10500 & 10600 Parts List

Rev 1 / 070403 / TB

Page 4

| No. | Hedson Part No. | Part Description |
|-----|-----------------|---------------------|
| 91 | 11079 | BOILER |
| 92 | 13523 | SCREW M6 x 65 |
| 93 | 6596 | SCREW M6 x 50 |
| 94 | 13526 | SCREW M5 x 65 |
| 95 | 13206 | SCREW M8 x 20 |
| 96 | 11578 | SPRING NUT |
| 97 | 13633 | SPRING |
| 98 | 6588 | SCREW M8 x 90 |
| 99 | 8307 | LOCKING NUT M5 |
| 100 | 5363 | LOCKING NUT M6 |
| 101 | 10961 | TOP PLATE |
| 102 | 13417 | BOILER SUPPORT |
| 103 | 11282 | LID BRACKET |
| 104 | 11281 | LOCKING HANDLE |
| 105 | 11283 | HANDLE BRACKET |
| 106 | 13524 | LID ASSEMBLY |
| 107 | 13513 | WASHER 8 x 22 x 1,5 |
| 108 | 11289 | SPACER |
| 109 | 8984 | PLUG |
| 110 | 4246 | ALUMINUM WASHER |
| 111 | | |
| 112 | | |
| 113 | | |
| 114 | | |
| 115 | | |
| 116 | | |
| 117 | | |
| 118 | | |
| 119 | | |
| 120 | | |

10500 & 10600 Parts List

Rev 1 / 070403 / TB

Page 5

| No. | Hedson Part No. | Part Description |
|-----|-----------------|--------------------------|
| 121 | 11279 | LOCKING BAR |
| 122 | 13473 | LID |
| 123 | 11284 | LOCKING ROLL |
| 124 | 11285 | SHAFT |
| 125 | 13525 | CLIP |
| 126 | 3130 | SCREW M8 x 50 |
| 127 | 6552 | LOCKING NUT M8 |
| 128 | 11199 | RUBBER SEAL |
| 129 | 13778 | COVER |
| 130 | 13893 | SPACER SCREW |
| 131 | 13742 | TEFLON SHEET |
| 132 | 13104 | DOMED NUT M6 |
| 133 | | |
| 134 | | |
| 135 | | |
| 136 | | |
| 137 | | |
| 138 | | |
| 139 | | |
| 140 | | |
| 141 | 11732 | DESTILLATE CONTAINER |
| 142 | 11733 | DESTILLATE CONTAINER LID |
| 143 | 11554 | LEVEL INDICATOR |
| 144 | 10169 | TAPERED PLUG |
| 145 | 8124 | DRUM ADAPTER |
| 146 | 10203 | HOSE ADAPTER |
| 147 | 13435 | SUCTION PIPE |
| 148 | 2657 | SCREW PLASTITE 4,2 x 16 |
| 149 | 2157 | WASHER 5,5 x 12 |
| 150 | 2445 | LOCK WASHER |

10500 & 10600 Parts List

Rev 1 / 070403 / TB

Page 6

| No. | Hedson Part No. | Part Description |
|-----|-----------------|-------------------------------|
| 151 | 5100 | SCREW 4,2 x 16 |
| 152 | 11292 | DESTILLATE PIPE |
| 153 | 14471 | LEVEL INDICATOR ADAPTER |
| 154 | 14472 | INDICATOR HOOD |
| 155 | 10533 | RETAINING RING SGA 13 |
| 156 | 6836 | RETAINING RING SGA 16 |
| 157 | 11133 | LID CLIPS |
| 158 | 3221 | BRASS PIPE |
| 159 | 8349 | STARLOCK WASHER |
| 160 | 3514 | SCREW M5 x 10 |
| 161 | 5119 | CABLE CLAMP |
| 162 | | |
| 163 | | |
| 164 | | |
| 165 | | |
| 166 | | |
| 167 | | |
| 168 | | |
| 169 | | |
| 170 | | |
| 171 | 11741 | EX-BOX |
| 172 | 13340 | POWER CARD |
| 173 | 13483 | SIGNAL CABEL ASSEMBLY |
| 174 | 13475 | POWER CABEL ASSEMBLY |
| 175 | 13484 | HEATER CABEL ASSEMBLY |
| 176 | 10971 | BOX PLATE |
| 177 | 13488 | CLAMP |
| 178 | 14202 | POWER CARD SPACER |
| 179 | 14203 | FUSE BRIDGE |
| 180 | 14505 | FUSE 20A TYPE KLK (ETL APPR.) |

10500 & 10600 Parts List

Rev 1 / 070403 / TB

Page 7

| No. | Hedson Part No. | Part Description |
|-----|-----------------|--------------------------|
| 181 | 5054 | SCREW M4 x 10 FZB |
| 182 | 9973 | SCREW M4 x 16 FZB |
| 183 | 8307 | LÅSMUTTER NYLON M5 FZB |
| 184 | 13297 | LÅSMUTTER NYLON M4 FZB |
| 185 | 13486 | SET SCREW M5 x 20 |
| 186 | 2445 | LOCK WASHER 5.3x10 fzb |
| 187 | 5387 | SCREW M5 x 10 FZB |
| 188 | 13487 | WASHER 5,3 x 10 x 1 FZB |
| 189 | 14204 | FUSE CLIP |
| 190 | 14206 | FUSE PLATE |
| 191 | 13320 | POWER CARD |
| 192 | 6923 | FLANGE NUT M5 |
| 193 | 13984 | FUSE 10A 5x20 SLOW |
| 194 | 14214 | MYLAR SHEET |
| 195 | | |
| 196 | | |
| 197 | | |
| 198 | | |
| 199 | | |
| 200 | | |
| 201 | 11186 | HOOD CONTROL BOX |
| 202 | 11187 | BOTTOM CONTROL BOX |
| 203 | 13371 | CONTROL CARD |
| 204 | 11268 | OVERLAY |
| 205 | 11575 | GUIDE PLATE |
| 206 | 13527 | O-RING |
| 207 | 6341 | SCREW PLASTITE Z 8-16x25 |
| 208 | 6935 | SCREW M3x10 |
| 209 | 13985 | FUSE 200mA 5x20 FAST |
| 210 | | |

10500 & 10600 Parts List

Rev 2 / 080218 / CN

Page 8

| No. | | Hedson Part No. | Part Description |
|------------|--|------------------------|--------------------------|
| 211 | | R14620 | TAP HANDLE ASSEMBLY |
| 212 | | R13980 | TEMPERATURE PROBE KIT |
| 213 | | R13380 | POWER BOX ASSEMBLY 110V |
| 214 | | R13390 | POWER BOX ASSEMBLY 220V |
| 215 | | R14630 | 110V FUSE KIT |
| 216 | | R13990 | 220V FUSE KIT |
| 217 | | R14640 | FOOT VALVE WITH HOSE |
| 218 | | R11188 | CONTROL BOX |
| 219 | | R14070 | LOAD PUMP ASSEMBLY |
| 220 | | R14080 | DISCHARGE PUMP ASSEMBLY |
| 221 | | R9178 | VALVE-SET |
| 222 | | R6336 | O-RING (2 Pcs) |
| 223 | | R14660 | PANEL ACCESSORIES |
| 224 | | 13474 | AIR REGULATOR-SET |
| 225 | | R14650 | LID GASKET KIT |
| 226 | | 13602 | RETAINING RING |
| 227 | | R10760 | SUCTION TUBE STRAINER |
| 228 | | R10750 | RECYCLER BAGS (20 Pcs) |
| 229 | | R13929 | CHECK-VALVE |
| 230 | | R14610 | DOCKING VALVE |
| 231 | | 14158 | HEATER 128V 1700W |
| 232 | | 11734 | HEATER 240V 1800W |
| 233 | | 13470 | LEVEL INDICATOR CABLING |
| 234 | | 13718 | TEMPERATURE PROBE WHITE |
| 235 | | 13719 | TEMPERATURE PROBE GREY |
| 236 | | R10780 | VAPOUR HOSE KIT (TEFLON) |